

PONTOON U-BOLT INSTALLATION

U-BOLT INSTALLATION

POSTIONING:

Install SureDock U-bolts on the front (bow) and rear (aft) gunwale of your pontoon, or anywhere along the top deck edge as long as you keep a minimum 10-foot separation. Ensure the SureDock U-bolts are installed on the side of your pontoon that will face the dock.

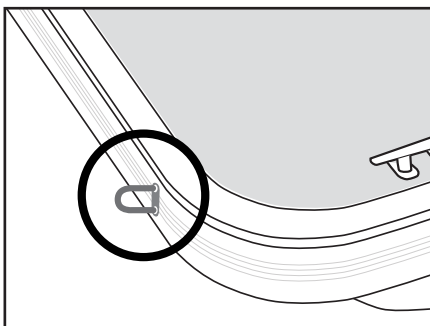
GUNWALE INSTALLATION:

SureDock U-Bolts should be installed in a vertical position into the pontoon's gunwale front and rear. You can also mount at an angle on the gunwale, at about 45-degrees, angling the top of the U-bolt toward the dock. If installing the SureDock U-bolts on the front or rear face of the gunwale, make sure they are within 6-inches of the corner of the pontoon.

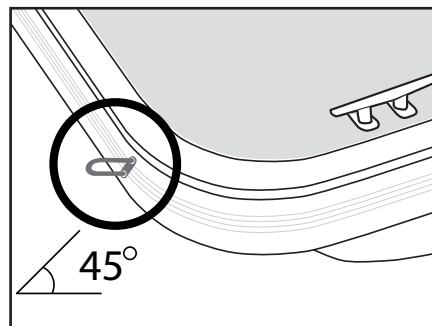
NOTE: When installing on the front or rear gunwale of your pontoon you cannot mount your U-bolt horizontally with the water. Your SureDock will not latch. This improper installation is illustrated in image 3.

- Place the SureDock U-bolt in your chosen installation position and mark the location of each leg for drilling.
- Prior to drilling, check behind/under the marked locations to ensure there are no obstacles or structural elements that would cause an issue.
- Using a 3/8 bit, drill the holes for the SureDock U-bolts.
- Secure the SureDock U-bolts to your pontoon with the nuts provided and tighten using a 9/16 inch wrench or socket.

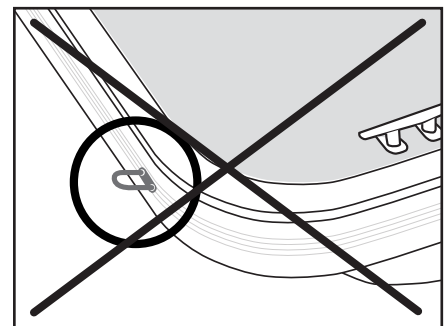
If you have any questions about your installation feel free to contact us at:
help@suredockusa.com
or call us at 651-470-7451.



Front gunwale vertical installation



Front gunwale 45 degree installation
(angle top U-bolt toward dock)



DO NOT INSTALL
in horizontal position